

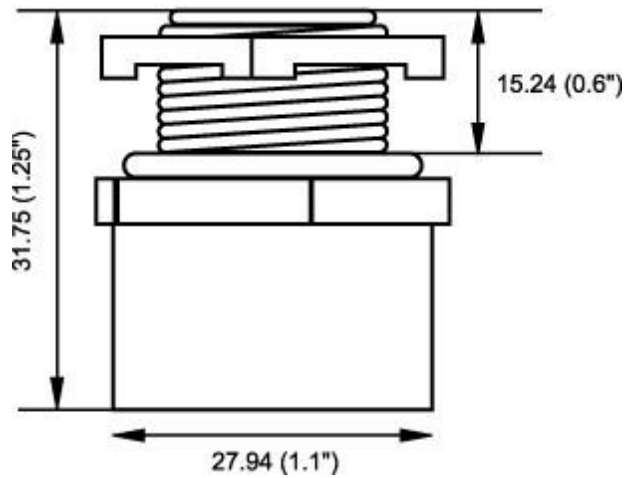


Quality Products. Service Excellence.

Pressure Compensation Plug *BDN Series*



- Packaged individually.
- Provides for controlled pressure compensation due to temperature variations (i.e. night/day operation).
- When mounted to bottom of enclosure, this unique design provides a method of effectively draining moisture from within the enclosure
- Recommend two plugs per cabinet in opposite locations.
- Pipe Thread M20 x 1.5 (minimum cutout 20.2 mm / 0.80 inches)
- Recommended Torque 10 NM



| | |
|---------------------|---|
| Part No. | BDN4XN1 |
| CSA/A Ex Approvals: | Class I, Zone 1, Ex e II Class I Division 2 Groups ABCD Class II EFG, Class III |
| Ingress Protection: | IP66, CSA Enclosure Type NEMA 4X |
| Impact Resistance: | 20Nm (7Nm GF Nylon) |
| Materials: | Durethan BKV 30 N1 30% Glass Filled Nylon O Ring - Nitrile Fixing nut - Brass |
| Operating Temp: | -50C to +85C |

Data subject to change without notice